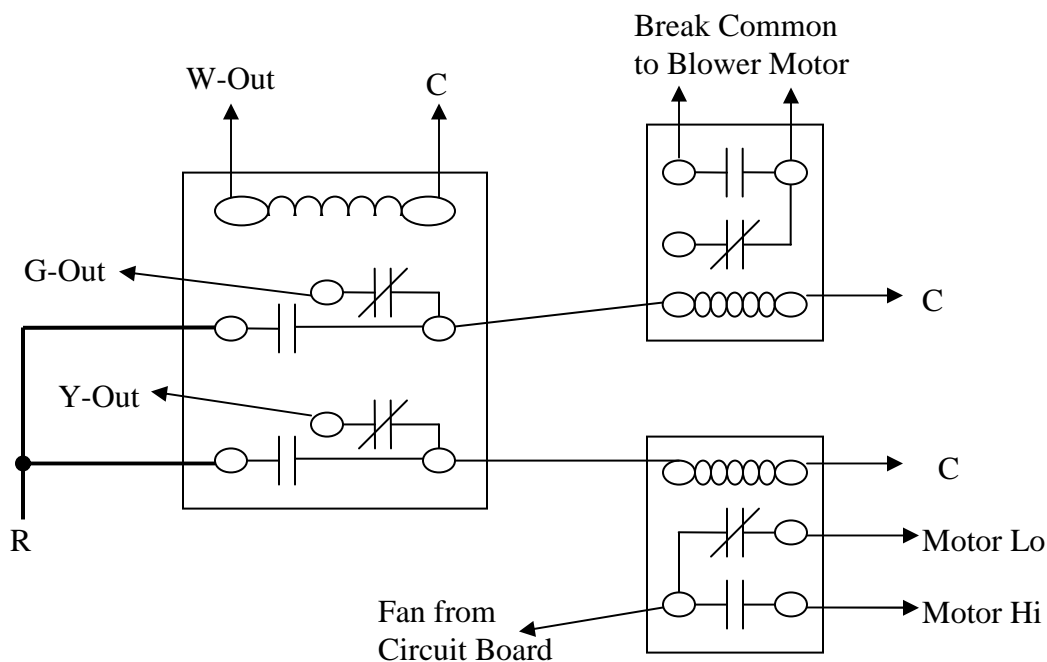


ICP Air Handler Relays



This relay configuration is designed to allow for low blower speed on continuous fan and the first timing for The AC-Enhancer™. Then high blower speed on cooling and on a call for heat. This also stops the blower right away when the call for cooling goes away. This defeats the 30 second blower shut down delay built into the circuit board by breaking the common power lead to the blower motor.