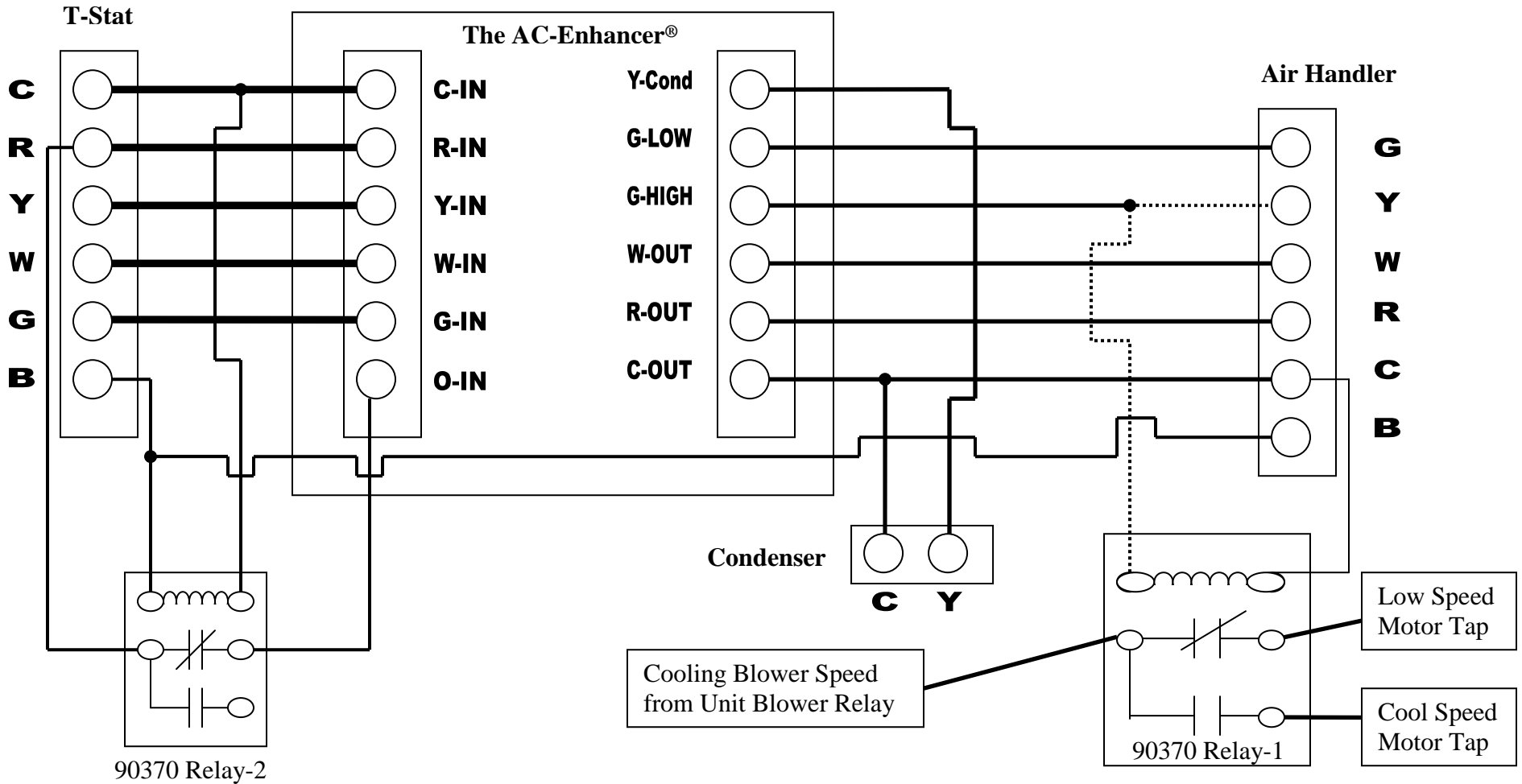


The AC-Enhancer™

Wiring Diagram

For Heat Pumps Energizing Reversing Valve Through B Terminal Instead of O



90370 Relay-2 is added to allow for reverse action of Heat Pumps that use B to Energize the Reversing Valve for the Heating Mode.

Common Wire must be connected from Air Handler to AC-Enhancer.
 90370 Relay-1 is added to system if no circuit board is present to automatically change blower speed otherwise connect G-High to air handler terminal.
 Condensing unit is only connected to The AC-Enhancer and not to Air Handler.
 O-IN must be connected for Heat Pump System