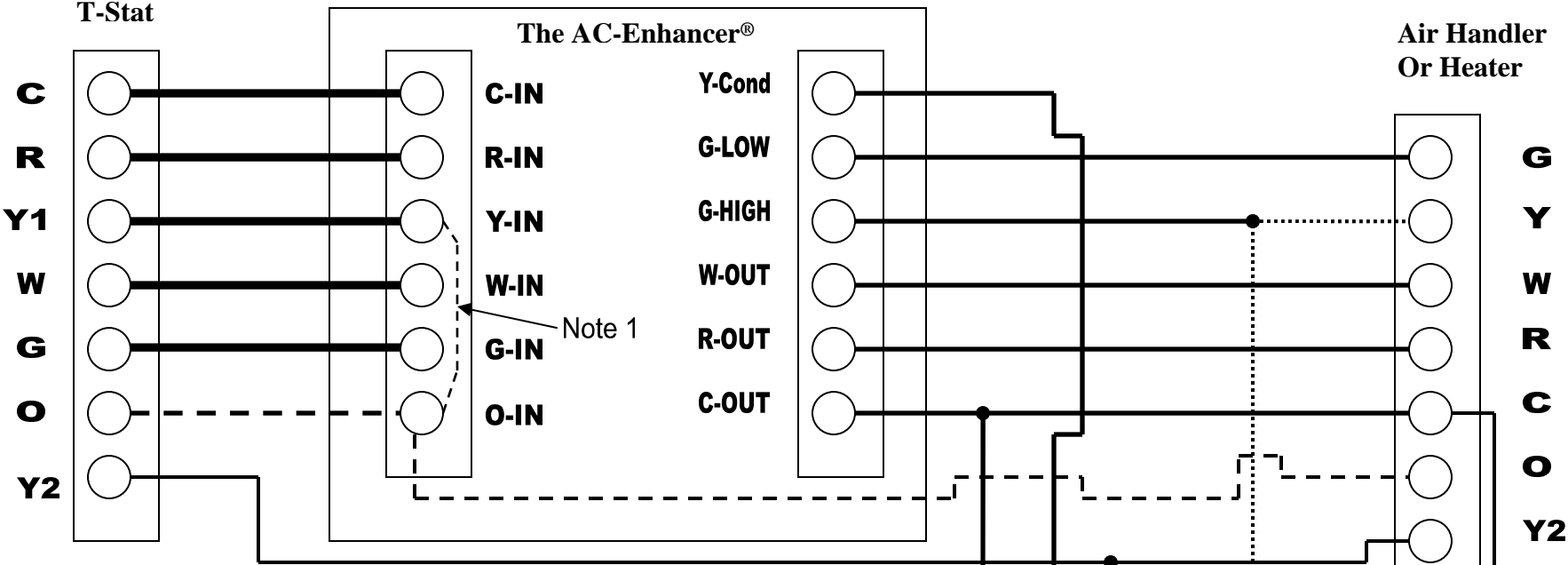


# The AC-Enhancer®

## Wiring Diagram



**Note 1**  
 If not a Heat Pump System connect a Jumper Wire from Y-IN to O-IN  
 For Heat Pump O-In must be connected  
 For Heat Pump Energizing Reversing Valve with B use Reverse Acting Relay to energize O-In

Always disable any Ramping or Enhanced mode on Variable Speed Motors.  
 Set all cooling off cycle fan timers to Zero.  
 Common Wire must be connected from Air Handler to AC-Enhancer.  
 90370 Relay is added to system if no circuit board is present to automatically change blower speed otherwise connect G-High to air handler terminal.  
 Condensing unit is only connected to The AC-Enhancer and not to Air Handler.

