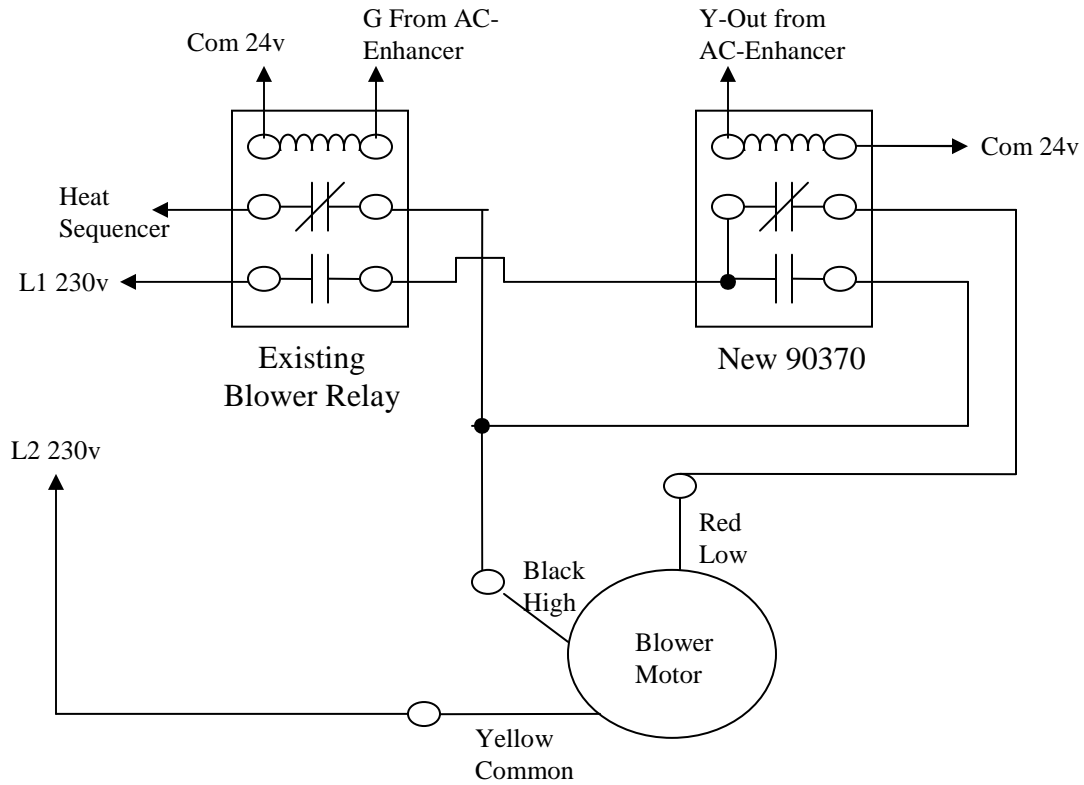


Lennox CB26 Relay Install for The AC-Enhancer™



Eliminate the existing time delay relay in the air handler control circuit by removing the Green Jumper wire from the Time Delay to the Existing Blower Relay Coil. Then remove the Green wire going to the Time Delay Relay from the G of The AC-Enhancer and connect it to the coil of the Existing Blower Relay. The other wires on the blower relay have to be wired in as shown above.