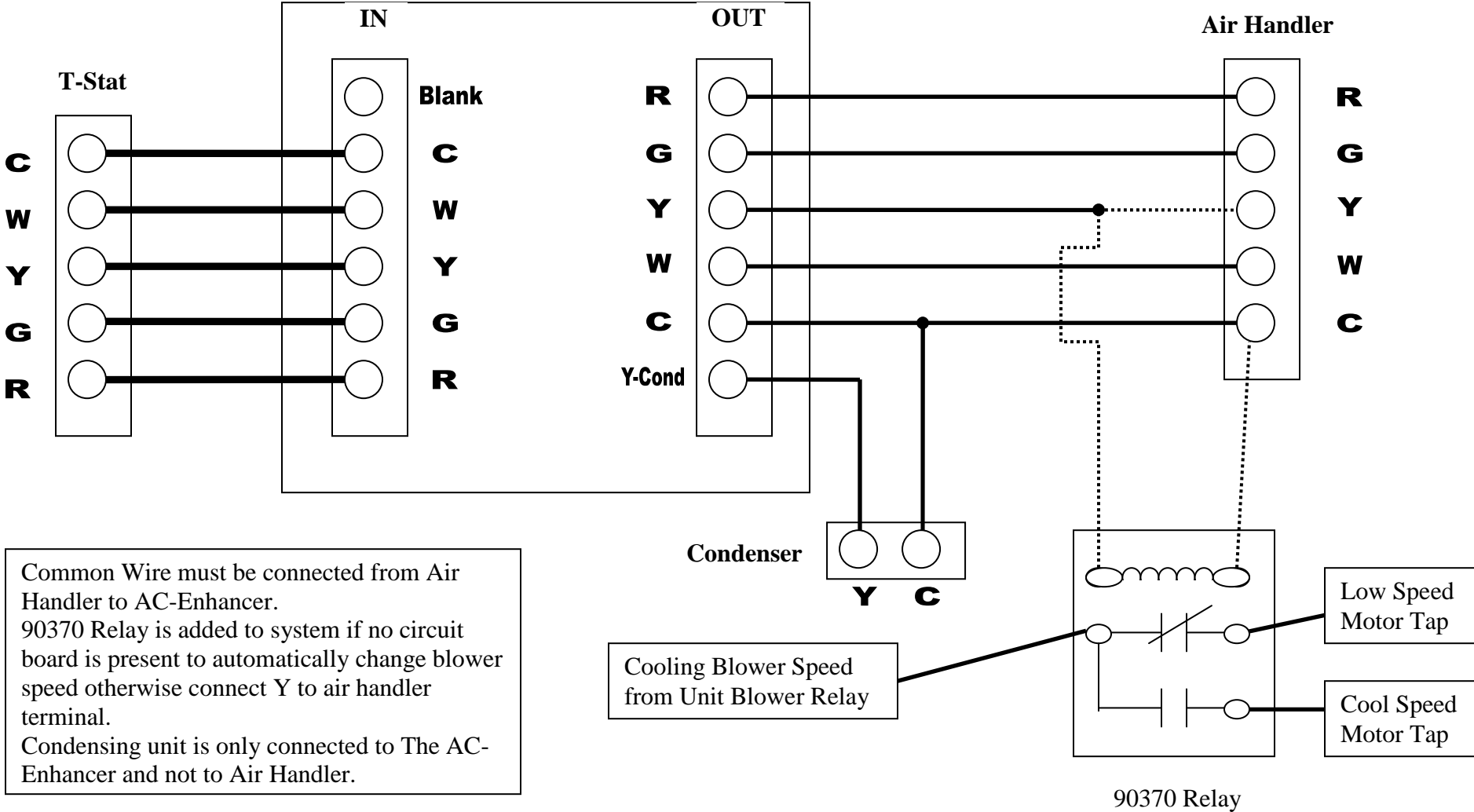


# The AC-Enhancer™

## Wiring Diagram



Common Wire must be connected from Air Handler to AC-Enhancer.  
 90370 Relay is added to system if no circuit board is present to automatically change blower speed otherwise connect Y to air handler terminal.  
 Condensing unit is only connected to The AC-Enhancer and not to Air Handler.